

FEATURES

- ◆ Built in mechanical timer & photocell
- ◆ Transparent sliding lid design
- ◆ Overload protection
- ◆ IP65 weatherproof and water-resistant
- ◆ 72" SJT(W) cable, heavy gauge, grounded and water resistant power cord with molded plug.
- ◆ Internal wires are rated at 125°C (257°F)
- ◆ **APPLICATION:** LED lighting systems. Landscape lighting systems.
- ◆ **WARRANTY:** The transformer must be installed in accordance with the national electric code(NEC)and local ordinances. Failure to do so will voidthe warranty and may result in serious injury and/or damage the transformer.



SPECS

Product #	JET-TR-200W
Power	200W
Input Voltage	120 Volts
Output Voltage	12V & 15V AC(each one tap)
Max Input Amp	1.66 Amp
Max Output Amps(Per Circuit)	16.5 Amp
Enclosure:	PC
Core:	Fully encapsulated EI core
Warranty:	5 Years

How to Use timer and Photocell

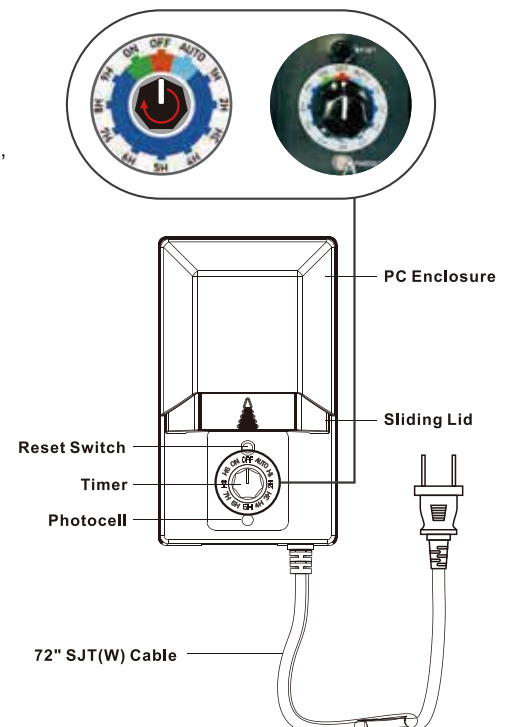
1. Turn the dial pointer to "ON." In this position, the transformer will continuously supply outlet power.
2. Turn the dial pointer to "OFF." In this position, the transformer will cease operation, and there will be no power outlet.
3. Turn the dial pointer to "AUTO." In this position, the power outlet will be controlled by the photocell.

When there is ambient light, the power outlet will stop. When ambient light diminishes, the transformer begins providing power outlet.

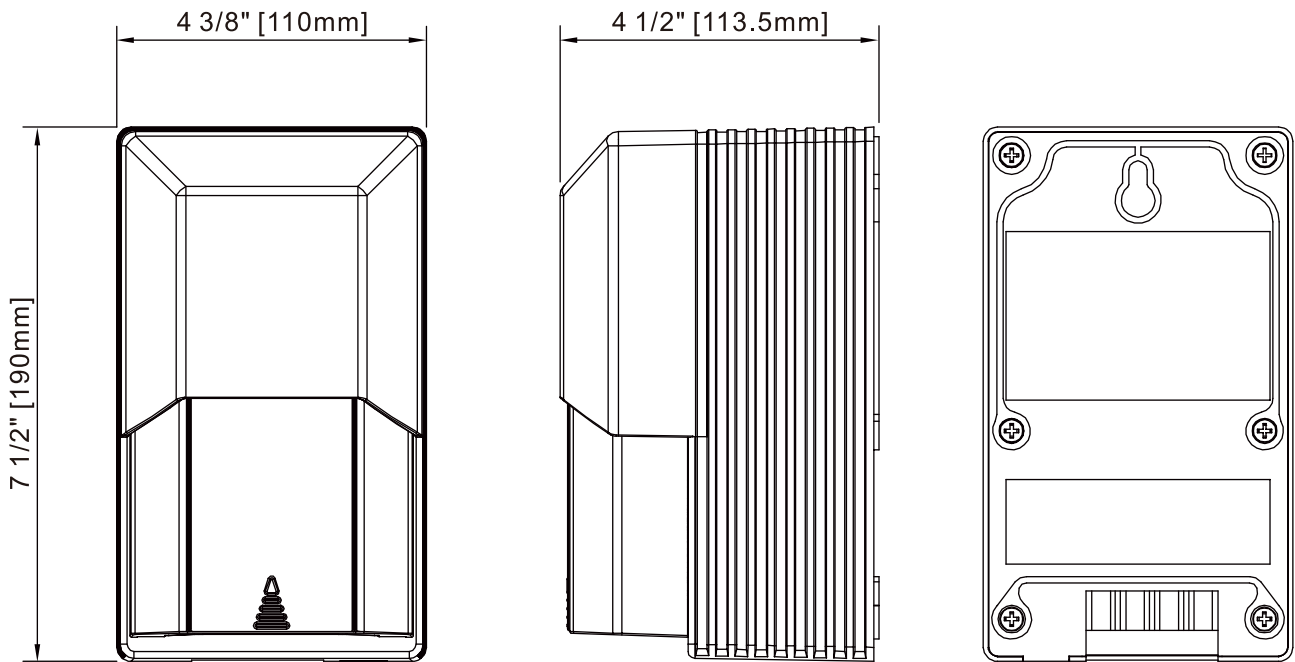
4. Set the pointer to any specific time between 1-9H. In this position, the transformer will have outlet power during the designated time when the photocell no longer detects light.

For example: If you set the pointer to "1H," based on your geographical location, when it is 7:00 PM (dusk), and there is no external light, the transformer will provide power outlet to the lighting system for the next 1 hour. After 1 hour, the transformer will cease power outlet.

Note: Response time of the photocell is 30 seconds.



DIMENSION



INSTALLATION

