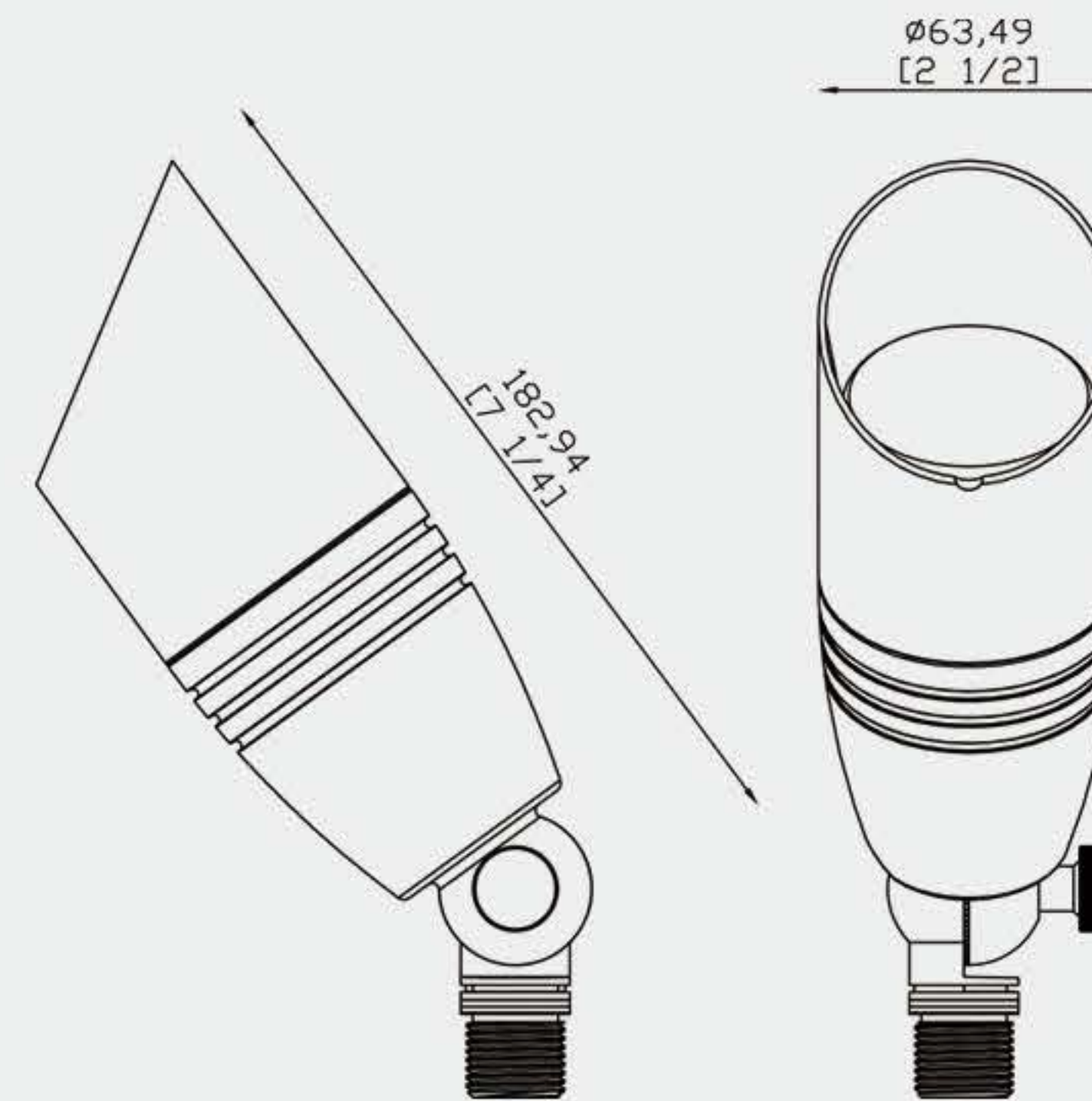


**JT-LV-215-AB**

Materials

Die-cast brass

Body

Precision machined from solid brass casting;
Enclosed and water resistant wireway.

Shroud

Precision machined and comes with a factory sealed socket resistant glass lens to prevent water intrusion. Accepts up to one additional lens/hex cell accessory.

Knuckle

Machined brass knuckle with a solid brass adjustable thumb screw. Vertical tilt 270° and horizontal rotation of 360° for easy aiming.

Lens

Clear convex glass

Gasket

High-temperature silicone o-ring for a water-tight seal.

Lamp

For use with a halogen lamp up to 50W MR16 Lamp.

Warranty

Limited lifetime warranty